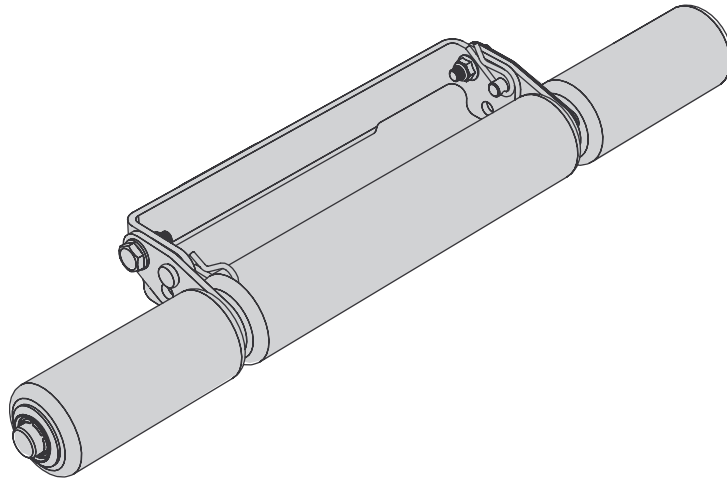


Cub Cadet.

OPERATOR'S MANUAL



42" Timing Deck Striper/Roller

⚠ WARNING

**READ AND FOLLOW ALL SAFETY RULES AND INSTRUCTIONS IN THIS MANUAL
BEFORE ATTEMPTING TO OPERATE THIS MACHINE.
FAILURE TO COMPLY WITH THESE INSTRUCTIONS MAY RESULT IN PERSONAL INJURY.**

CUB CADET LLC, P.O. BOX 361131 CLEVELAND, OHIO 44136-0019

Contents of Carton

- One 42" Timing Deck Striper/Roller
- One Operator's Manual

Assembly

NOTE: On older model decks the holes used to attach the Striper/Roller to the mowing deck will have to be drilled in order to install the attachment.

1. Remove the attached carriage bolts and flange nuts from the mounting bracket. See Fig. 1-1.

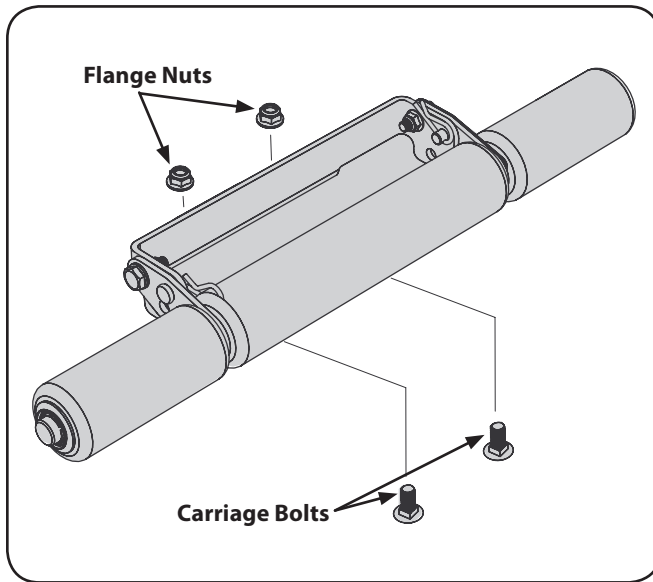


Figure 1-1

NOTE: If it is necessary to drill the holes to attach the Striper/Roller continue on to step 2, if not skip to step 5.

2. On the back center of the deck, lay the bracket on a spot on the deck that will not interfere with any of the belts, blades, etc. under the deck.
3. When you have the bracket positioned properly use a marker to mark the location of the two holes in the bracket onto the deck.
4. Use a $\frac{5}{16}$ " drill bit to drill the previously marked holes.

NOTE: The deck is made of strong metal so be careful to maintain a strong grip on the drill to ensure a clean hole and avoid damage to the deck.

5. With the carriage bolts and flange nuts removed earlier, attach the Striper/Roller to the deck and tighten securely. See Fig. 1-2.

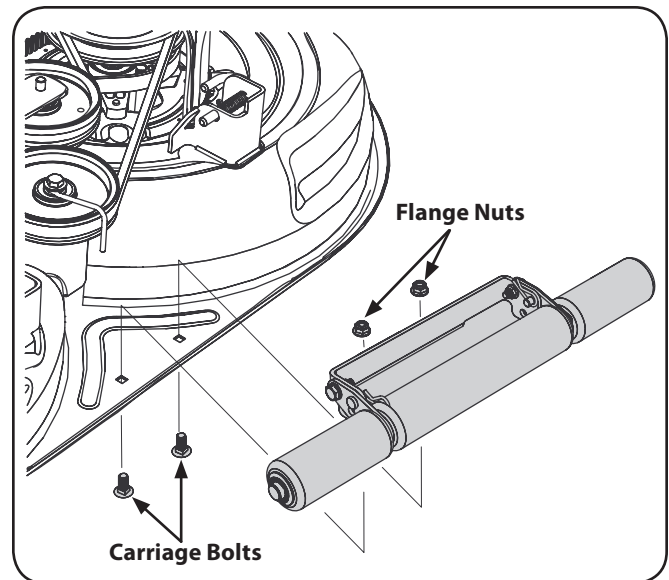


Figure 1-2

Set-Up

The roller can be adjusted to two different heights.

1. Remove the cotter pins and clevis pins from each side of the Striper/Roller. See Fig. 1-3.

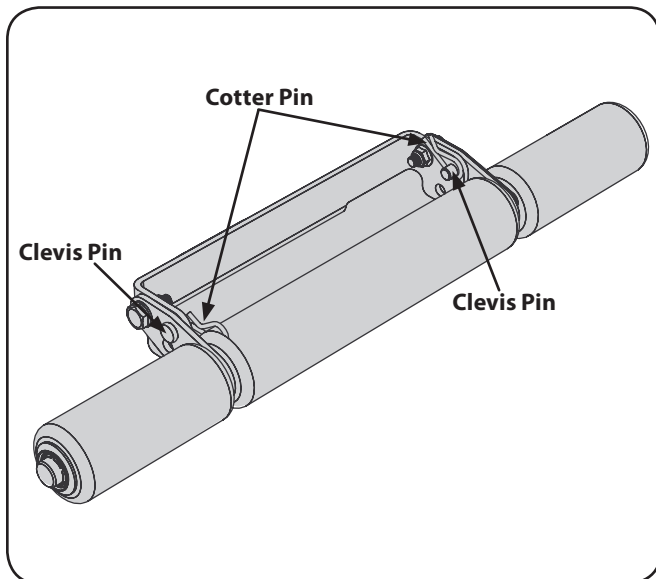
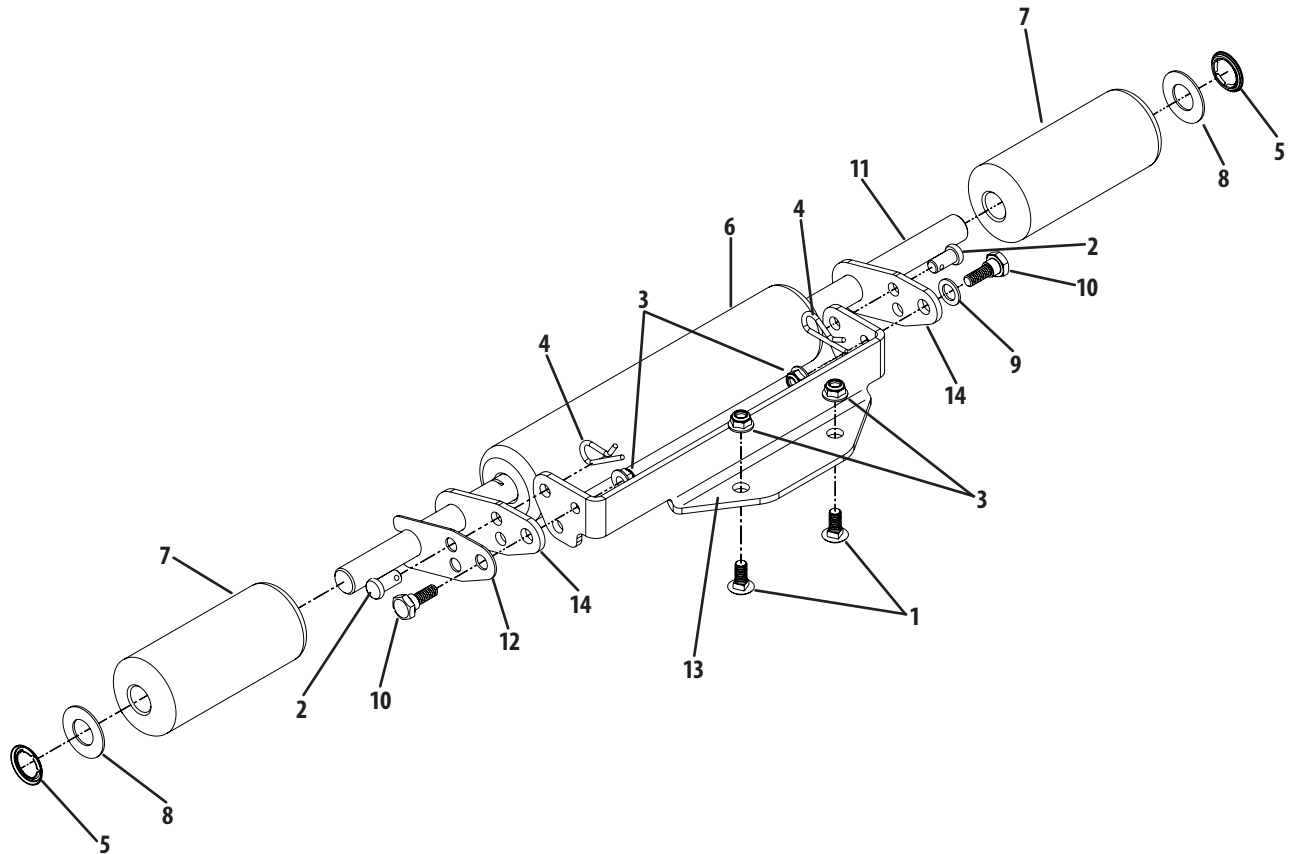


Figure 1-3

2. Move the adjustment bracket to the desired height and replace the cotter pin and clevis pin to lock into place.

Illustrated Parts List

2



Ref.	Part Number	Description
1.	710-0451	Carriage Bolt, $\frac{5}{16}$ -18 x .750
2.	711-1421	Clevis Pin, $\frac{3}{8}$ x .750
3.	712-04063	Flange Lock Nut, $\frac{5}{16}$ -18
4.	714-0149B	Cotter Pin
5.	726-04035	Push Nut, $\frac{3}{4}$
6.	731-0335	Deck Roller
7.	731-06365	Deck Roller, 2.25 x 5.25
8.	736-0188	Flat Washer, .76 x 1.49 x .06
9.	736-3024	Flat Washer, .469 x .750 x .06
10.	738-0296	Shoulder Screw, .437 x .268 x $\frac{5}{16}$ -18
11.	747-04915	Roller Rod, .75 x 22.875
12.	783-05916	Anti-Rot Rod Plate
13.	783-05918	Roller Bracket
14.	783-05923	Roller Plate Adjustment

Notes



To order replacement parts, call a Customer Support Representative at (800) 965-4CUB.
Locate your nearest Cub Cadet dealer at (877) 282-8684
or visit www.cubcadet.com to find the nearest Cub Cadet dealer in your area.

CUB CADET LLC, P.O. BOX 361131 CLEVELAND, OHIO 44136-0019
